



CAMERA OBSERVATION SOLUTIONS

TRANSPORTATION, CONSTRUCTION, INDUSTRIAL & EMERGENCY VEHICLE APPLICATIONS



- Construction
- Motorcoach
- Shuttle Bus
- Sanitation
- Agriculture
- Tow Truck
- Emergency Response
- School Bus



Why REI is Superior

- One-source provider for engineered products.
- Over 75 years of industry knowledge leading the mobile market.
- Products designed, engineered and developed in the USA.
- Fully customizable solutions.
- We'll never leave you stranded with 24/7/365 customer support.

CONTENTS

- HOW-TO GUIDE 3
- MONITORS 4
- CAMERAS 5
- SYSTEMS 6
- ACCESSORIES 7
- APPLICATIONS 8



how-to guide

A step-by-step process for customizing your camera observation system. Select a monitor, camera and accessories to build the foundation of your solution.

Protect what's important.

Productivity shouldn't come at the expense of safety. REI provides fully customizable camera observation solutions to keep you moving in the right direction. REI's commitment to rugged durability and reliability protects driver/operators and valuable equipment.

The job often doesn't end when the sun goes down; our cameras can view up to 45' in complete darkness for your safety. All REI cameras and monitors are operational at extreme temperatures and power fluctuations, and withstand the vibrations of the tough mobile environment, wherever the job takes you.

Our strength is our character. USA designed. Customer care 24/7/365. Over 75 years of engineering, testing and manufacturing expertise provides the quality and reliability our customers expect and count on.

STEP 1

Choose Your Monitor

- See page 4
 - Choose from 5" or 7" to best suit your needs



STEP 2

Choose Your Camera(s)

- See page 5
 - Select camera(s) based on angle view needed



STEP 3

Choose Your Accessories

- See page 7
 - Choose the cable length and other optional accessories to complete and tailor your system



durable. safe. quality tested.

NEW

MONITOR COMPARISON



		7" (ALL MODELS)	5" (ALL MODELS)	5" Weatherproof
Camera Input Options Available	3 Camera Inputs, Single Camera View	710310	710368	710528
	4 Camera Inputs, Single/Dual/Quad View	710344		
	3 Camera Inputs, Single Camera View, Disabled Buttons	710444		
Image Polarization Clearly see the monitor while wearing polarized sunglasses.	3 Camera Inputs, Single Camera View, Image Polarizer Filter	710421	710408	
	4 Camera Inputs, Single/Dual/Quad View, Image Polarizer Filter	710428		
Dimensions (w/o mount)		7.3"W x 4.9"H x 2"D	6"W x 4.5"H x 2"D	6.2"W x 4.6"H x 2.4"D
Screen Ratio		16:10	4:3	4:3
Weight		395g	305g	350g
Operating Voltage DC8-28 Volts		✓	✓	✓
Operating Temperature -15°F to 160°F		✓	✓	✓
Display Resolution		2400 (3) x 480/800 x 480	1920 (3) x 480/640 x 480	640 x 480
Video Signal System PAL/NTSC (Automatic)		✓	✓	✓
OSD MENU Function Brightness, Contrast, Camera Input Plus Separately Set Each Camera's Trigger Priority, Image Switch Delay Time 1-30 Seconds, Mirror/Normal Image Select		✓	✓	✓
Input Signal: Composite 1.0Vpp		✓	✓	✓
Brightness		350 cd/m2 (Auto Dimming at Night)	350 cd/m2 (Auto Dimming at Night)	200 cd/m2
Contrast Ratio 500:1		✓	✓	✓
Weatherproof				✓



5" WEATHERPROOF MONITOR

A MARKET FIRST by **REI**

REI's exclusive 5" weatherproof monitor is the first of its size for the construction and ag market, designed specifically for small open-station cabs such as skid steers, wheel loaders, excavators, etc. It features a rugged and durable design to withstand extremes in operating temperatures, vibration and power fluctuations. Fully customizable, you can select up to 3 camera inputs and cable lengths to best suit your needs. Provide extra visibility for blind spots and while backing up. Keep operators and your equipment safe with a camera observation system from REI.

CAMERA COMPARISON



		Minibox Camera w/ Heater	Eyeball Camera-Universal Mount	Camera w/ Motorized Lens Cover	Side Camera		
		710311	710342	710182	Right Side (Curb) Forward, Left Side (Driver) Backward	Right Side (Curb) Backward, Left Side (Driver) Forward	Modified for Back-Up Mounting
Lens	2.8mm			✓	✓ 710559	✓ 710566	✓ 710558
	2.9mm	✓	✓				
	4mm				✓ 710560	✓ 710567	
	6mm				✓ 710561	✓ 710568	
	8mm				✓ 710562	✓ 710569	
	12mm				✓ 710563	✓ 710570	
Hi-Res Color Series		✓	✓	✓	✓	✓	✓
Day/Night Viewing		✓	✓	✓	✓	✓	✓
Intelligent IR Technology for Eliminating IR Hot Spots		✓	✓	✓	✓	✓	✓
Adjustable Viewing Angle		✓	✓	✓			
Built-In Heater		✓		✓	✓	✓	✓
Tamper Proof					✓	✓	✓
Waterproof		✓	✓	✓	✓	✓	✓
Image Type 1/3" Sony Color CCD		✓	✓	✓	✓	✓	✓
Resolution		✓ 600	✓ 480	✓ 480	✓ 650	✓ 650	✓ 650
Night Vision Range		0 Lux w/ Infrared Lighting, 45'	0 Lux w/ Infrared Lighting, 30'	0 Lux w/ Infrared Lighting, 45'	0 Lux w/ Infrared Lighting, 60'		
Shockproof Rating 20G		✓	✓	✓	✓	✓	✓
Video Output 1.0Vpp-75 OHMS		✓	✓	✓	✓	✓	✓
Operating Temperature -15°F to 160°F		✓	✓	✓	✓	✓	✓
Operating Voltage DC12V (Regulated Power Provided From Monitor)		✓	✓	✓	✓	✓	✓
Dimensions (w/o Mount)		3"W x 2.8"H x 2.7"D	2.9"W x 2.5"H x 2.2"D	3.5"W x 2"H x 2.1"D	2.6"W x 2.5"H x 3.6"D		
Weight		360g	360g	400g	360g		
Current		200mA, 400mA w/ Heater On	200mA, 400mA w/ Heater On	200mA, 400mA w/ Heater On	200mA, 400mA w/ Heater On		

Wired Camera Observation System



SYSTEM DESCRIPTION	MONITOR VIEW	INDIVIDUAL PART #'S	KIT PART #
7" LCD w/3 Camera Inputs, 1 Minibox Camera and 65' Camera Cable	Single Camera View	710310 - 7" Monitor 710311 - Minibox Camera 512369 - 65' Camera Cable	760920



Recommended for agricultural or open-space environments. Bluetooth and Wi-Fi frequencies in a city may interfere with the performance of the wireless frequency signal transmission.



Wireless Camera Channels

Wireless Camera Observation System

SYSTEM DESCRIPTION	MONITOR VIEW	INDIVIDUAL PART #'S	KIT PART #
7" Wireless LCD Receives 1 Wireless Camera Image, Includes Wireless Minibox Camera - Channel F	Single Camera View	710401 - Wireless 7" Monitor 710364 - Wireless Minibox Camera - Channel F	760922
7" Wireless Quad LCD Receives up to 4 Wireless Camera Images, Includes 1 Wireless Minibox Camera - Channel F (Additional cameras must be ordered separately.)	Monitor Allows for Single/ Dual/Triple/Quad View	710345 - Wireless 7" Monitor 710364 - Wireless Minibox Camera - Channel F	760927

Wireless Cameras:

7" Wireless Camera - Input LCD 2.9MM - Channel F	710364
7" Wireless Camera - Input LCD 2.9MM - Channel B	710365
7" Wireless Camera - Input LCD 2.9MM - Channel R	710366
7" Wireless Camera - Input LCD 2.9MM - Channel L	710367

accessories

Routers



Wi-Fi Router

ITEM	PART #
Wi-Fi Router - Sprint 4G Carrier	832178
Wi-Fi Router - Verizon 4G Carrier	832172
Wi-Fi Router - AT&T 4G Carrier	832176

DVRs



DR40 DVR

ITEM	PART #
HD800	710331
HD800W	710425
HD420	710422
HD420W	710423
DR40	710411
SD40	710292

Cables

5' Cable Tractor
Trailer Kit10' Cable Tractor
Trailer Kit

ITEM	PART #
Tractor/Trailer Kit, 5' Coiled Cable w/Small 5 Pin Plugs and 2 - 33' Cables w/5 Pin Panel Mount Receptacles	512399
Tractor/Trailer Kit, 10' Coiled Cable w/Large 7 Pin Plugs and 2 - 33' Cables w/7 Pin Panel Mount Receptacles	512398
12" Camera Cable - 4 Pin Male Mini-Fit™ to 5 Pin Female Din Plug	512246
10' Camera Cable - 6 Pin Male Quick Disconnect Plug to 5 Pin Female Din Plug	512500
15' Camera Cable - 5 Pin Female Din Plug to 5 Pin Male Din Plug	512726
15' Camera Cable - 5 Pin Female Din Plug to 5 Pin Female Din Plug	512400
33' Camera Cable - 5 Pin Female Din Plug to 5 Pin Female Din Plug	512401
65' Camera Cable - 5 Pin Female Din Plug to 5 Pin Female Din Plug	512369
65' Camera Cable - 55' Cable w/5 Pin Female Din Plug to 5 Pin Female Din Quick Disconnect Plug to 10' 5 Pin Male Din Quick Disconnect Plug to 5 Pin Female Din Plug	512429
7" "Y" Cable - Camera (4 Pin Male Mini-Fit™) to DVR (4 Pin Female Mini-Fit™) and Monitor (4 Pin Male Mini-Fit™)	512483
45' Power Cable, Cigarette Lighter Plug to Bare Wire, 6'	512437
Remote Mount Wireless Antenna w/Cable, 9' Cable	210132
6" Pedestal Mount for Monitor, 360° Adjustability	561110
Power Adapter, AC Plug to Bare Wire, 4'	512438

INSTALLATION

Keeping operators, equipment and pedestrians safe is the single most important reason to install a camera observation system. Seeing all angles and blind spots around your vehicle allows for safer mobility while operating a large vehicle or industrial machinery.

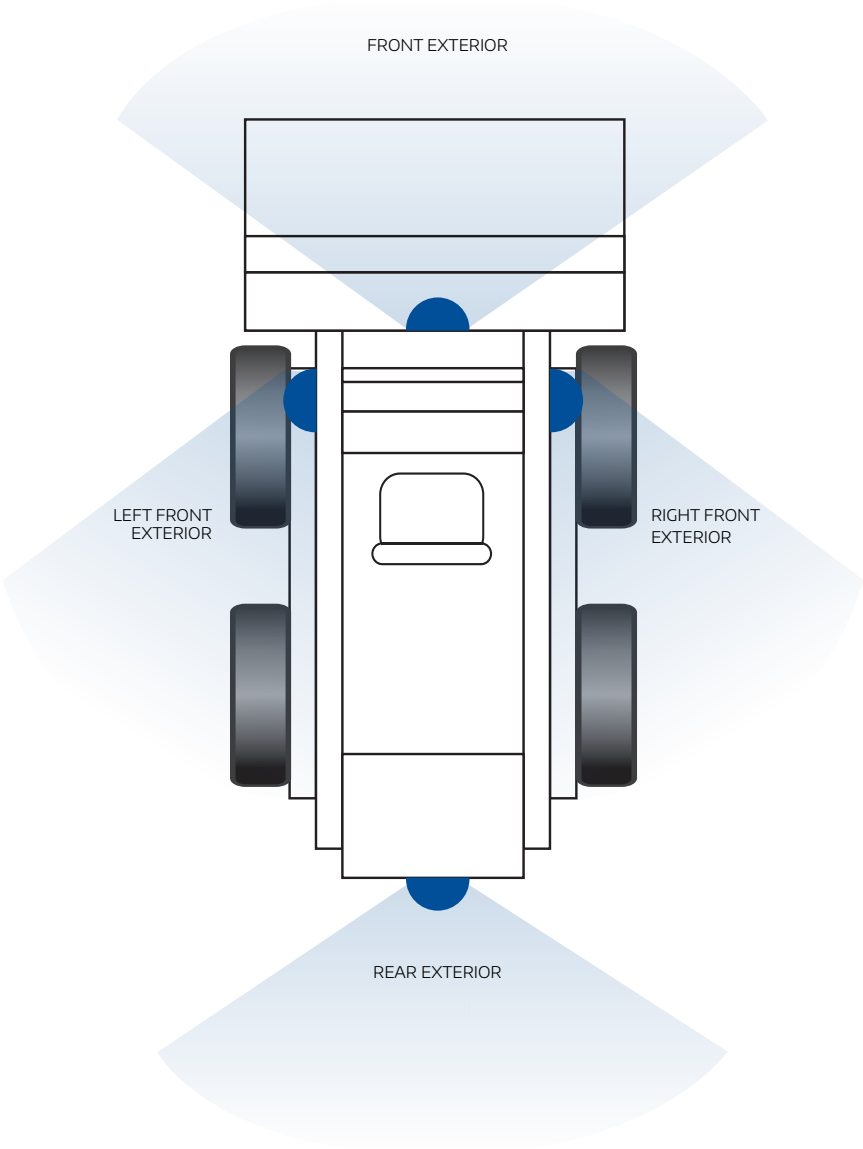
Installing an REI camera observation system is a simple process. Many mechanics can install in a matter of minutes. For a wired camera observation, you need a single power source and a cable to connect the camera(s) to the monitor of your choosing.

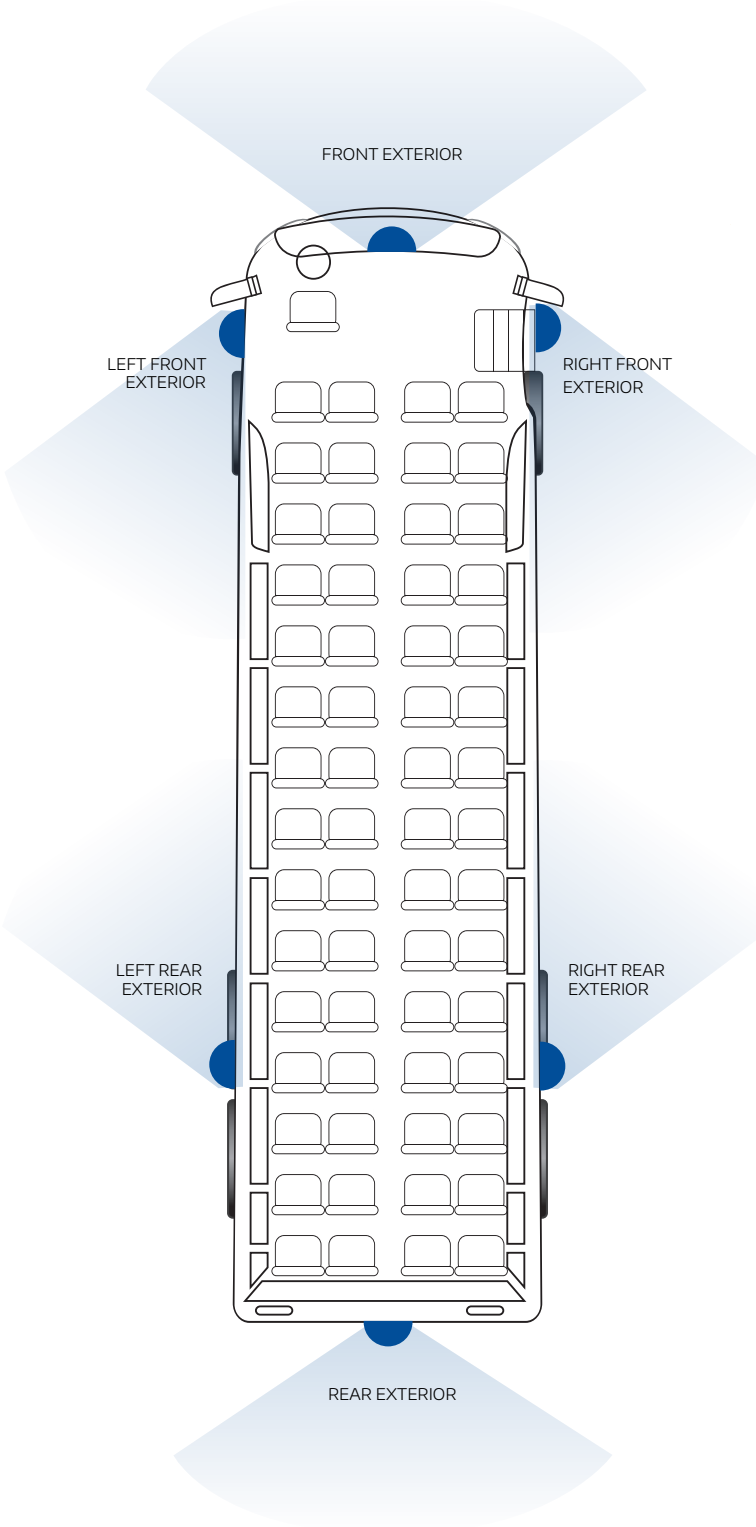
REI's camera observation solution can be integrated with our mobile video surveillance hardware and software for a fully integrated, comprehensive surveillance solution to fit your needs. Ask your REI representative today for more information.

applications

CONSTRUCTION

RECOMMENDED CAMERA VIEWS

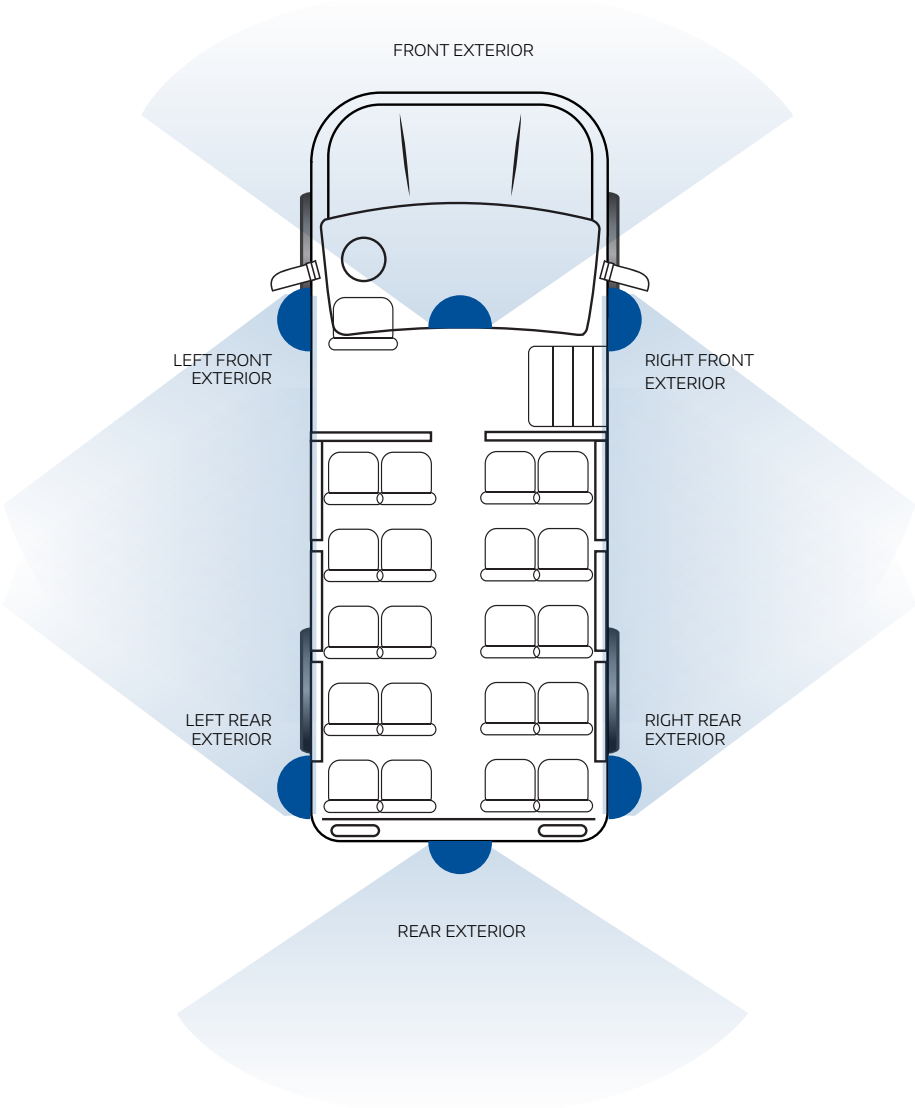


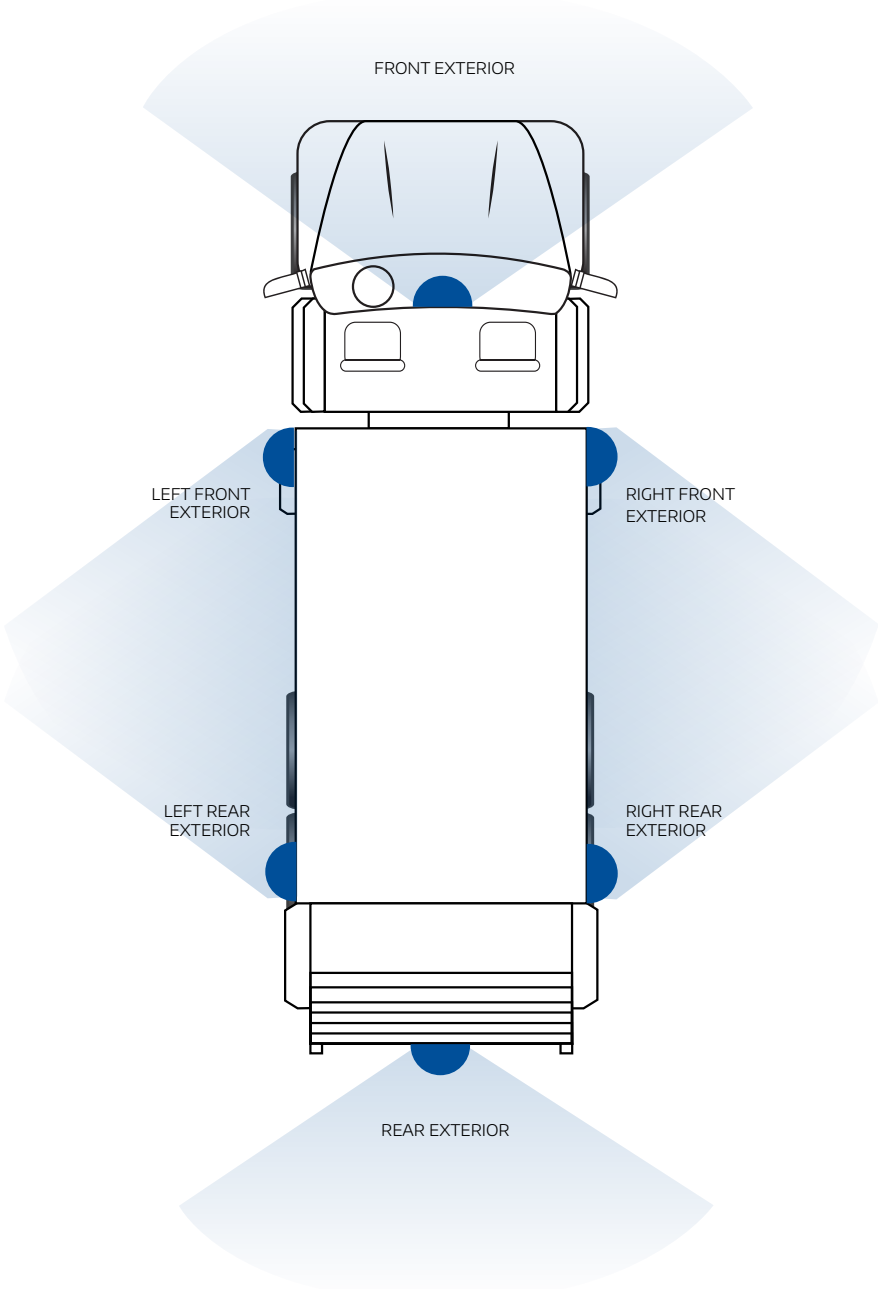


applications

SHUTTLE BUS

RECOMMENDED CAMERA VIEWS

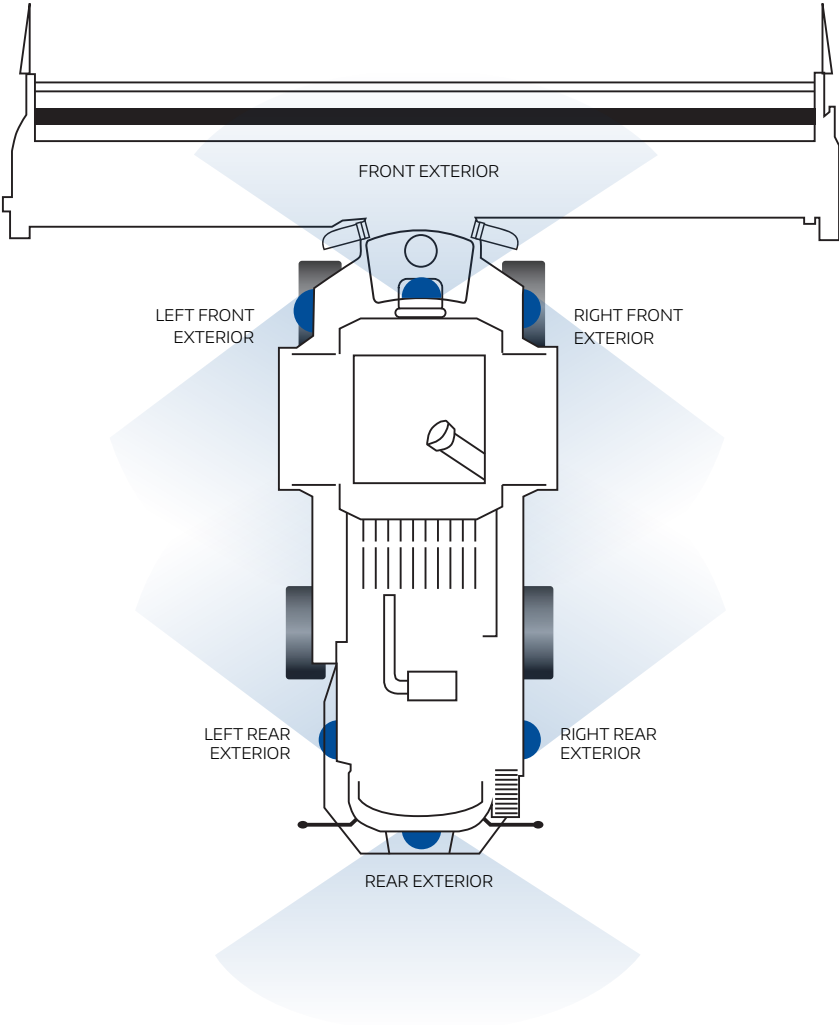


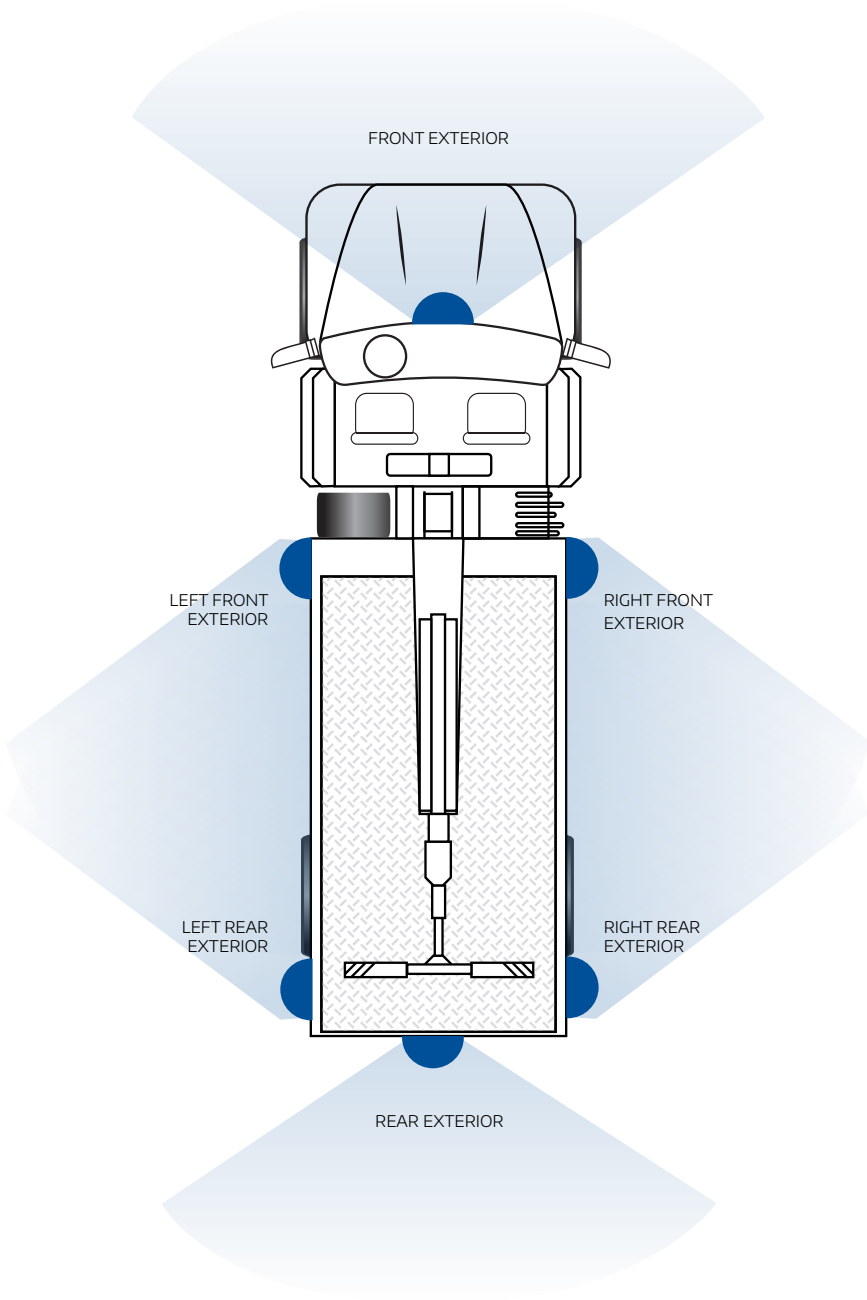


applications

AGRICULTURE

RECOMMENDED CAMERA VIEWS

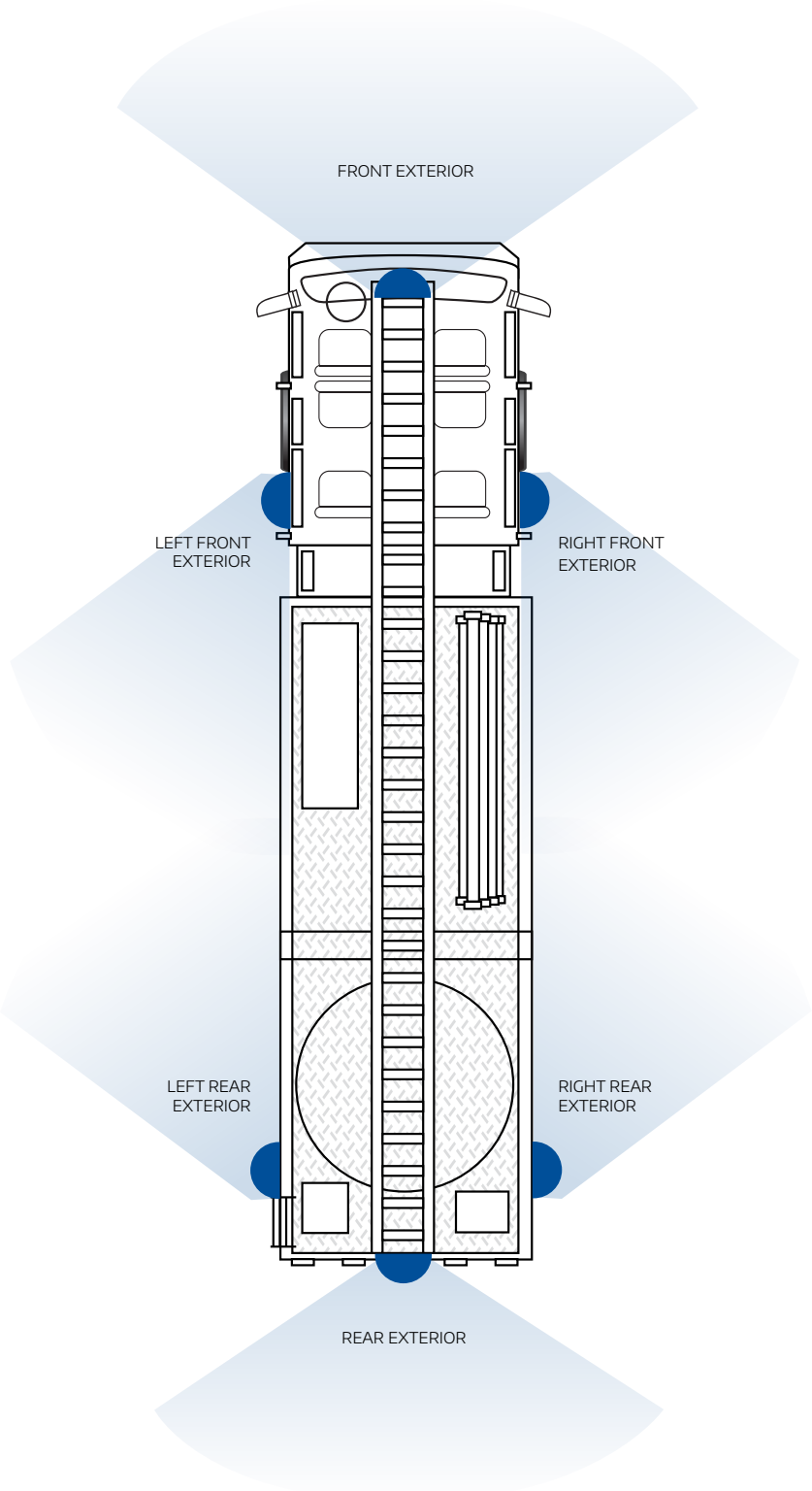


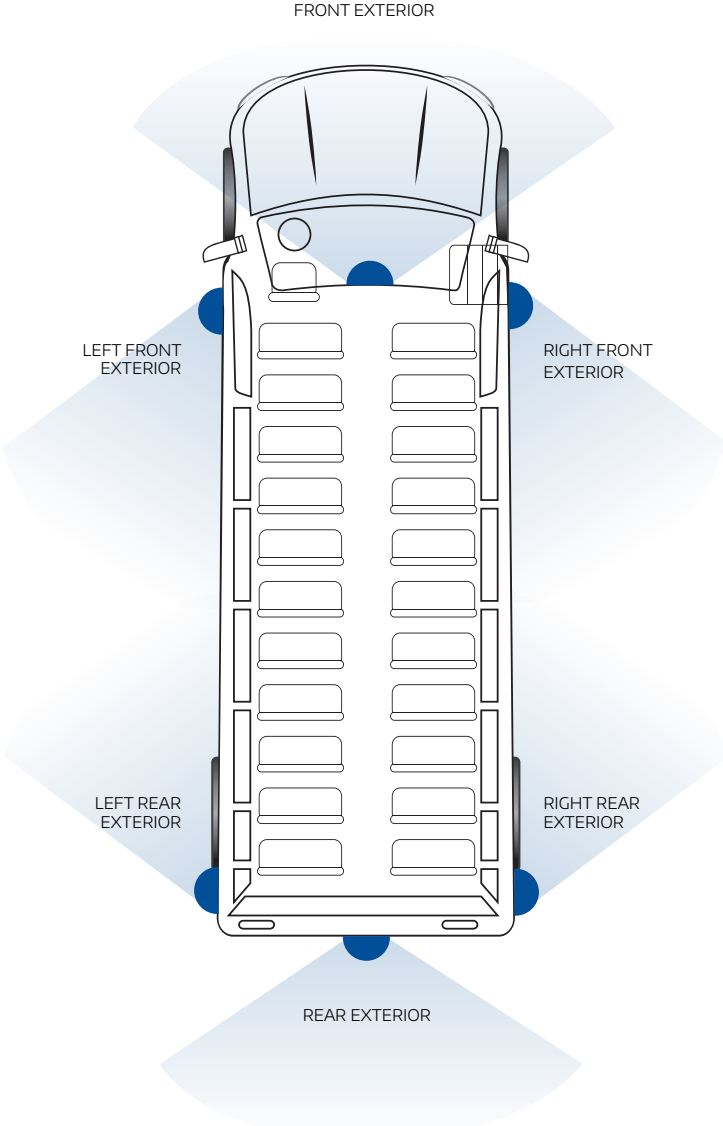


applications

EMERGENCY RESPONSE

RECOMMENDED CAMERA VIEWS







REI

6534 L Street
Omaha, NE 68117

800.228.9275
402.339.2200

radioeng.com